

■ Features :

- Protections: Short circuit/Over load/Over voltage
- Cooling by free air convection
- LED indicator for power on
- 100% full load burn-in test
- 2 years warranty

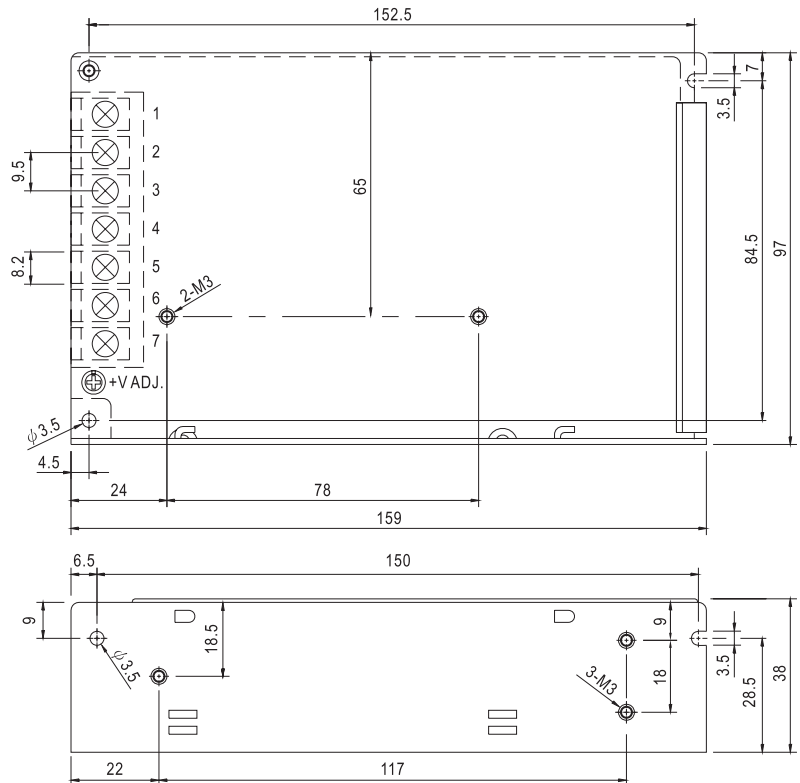
SPECIFICATION

MODEL		NES-100-27
OUTPUT	DC VOLTAGE	27V
	RATED CURRENT	3.7A
	CURRENT RANGE	0 ~ 3.7A
	RATED POWER	99.9W
	RIPPLE & NOISE (max.) Note.2	120mVp-p
	VOLTAGE ADJ. RANGE	24.2 ~ 28V
	VOLTAGE TOLERANCE Note.3	±1.0%
	LINE REGULATION Note.4	±0.5%
	LOAD REGULATION Note.5	±0.5%
	SETUP, RISE TIME	500ms, 20ms/230VAC 500ms, 20ms/115VAC at full load
HOLD TIME (Typ.)	30ms/230VAC 25ms/115VAC at full load	
INPUT	VOLTAGE RANGE	85 ~ 132VAC / 176 ~ 264VAC selected by switch 248 ~ 373VDC
	FREQUENCY RANGE	47 ~ 63Hz
	EFFICIENCY (Typ.)	85%
	AC CURRENT (Typ.)	2A/115VAC 1.2A/230VAC
	INRUSH CURRENT (Typ.)	COLD START 36A
	LEAKAGE CURRENT	<2mA / 240VAC
PROTECTION	OVER LOAD	110 ~ 150% rated output power Protection type : Hiccup mode, recovers automatically after fault condition is removed
	OVER VOLTAGE	31.05 ~ 36.45V Protection type : Hiccup mode, recovers automatically after fault condition is removed
ENVIRONMENT	WORKING TEMP.	-20 ~ +60°C (Refer to output load derating curve)
	WORKING HUMIDITY	20 ~ 90% RH non-condensing
	STORAGE TEMP., HUMIDITY	-40 ~ +85°C, 10 ~ 95% RH
	TEMP. COEFFICIENT	±0.03%/°C (0 ~ 50°C)
VIBRATION	10 ~ 500Hz, 2G 10min./1cycle, period for 60min. each along X, Y, Z axes	
SAFETY & EMC(Note 6)	WITHSTAND VOLTAGE	I/P-O/P:3KVAC I/P-FG:1.5KVAC O/P-FG:0.5KVAC
	ISOLATION RESISTANCE	I/P-O/P, I/P-FG, O/P-FG:100M Ohms/500VDC
OTHERS	MTBF	320.7Khrs min. MIL-HDBK-217F (25°C)
	DIMENSION	159*97*38mm (L*W*H)
	PACKING	0.55Kg; 30pcs/17.5Kg/0.97CUFT
NOTE	<p>1. All parameters not specially mentioned are measured at 230VAC input, rated load and 25°C of ambient temperature.</p> <p>2. Ripple & noise are measured at 20MHz of bandwidth by using a 12" twisted pair-wire terminated with a 0.1uf & 47uf parallel capacitor.</p> <p>3. Tolerance : includes set up tolerance, line regulation and load regulation.</p> <p>4. Line regulation is measured from low line to high line at rated load.</p> <p>5. Load regulation is measured from 0% to 100% rated load.</p> <p>6. The power supply is considered a component which will be installed into a final equipment. The final equipment must be re-confirmed that it still meets EMC directives. For guidance on how to perform these EMC tests, please refer to "EMI testing of component power supplies." (as available on http://www.meanwell.com)</p>	



Mechanical Specification

Case No. 901 Unit:mm

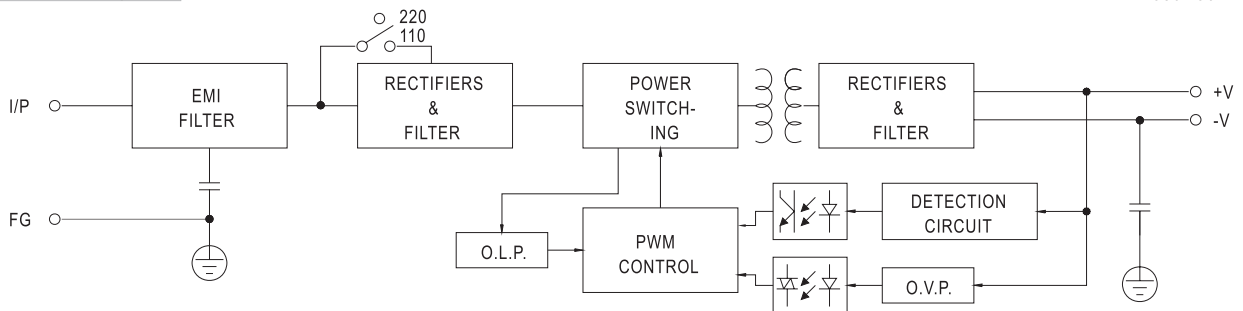


Terminal Pin. No Assignment

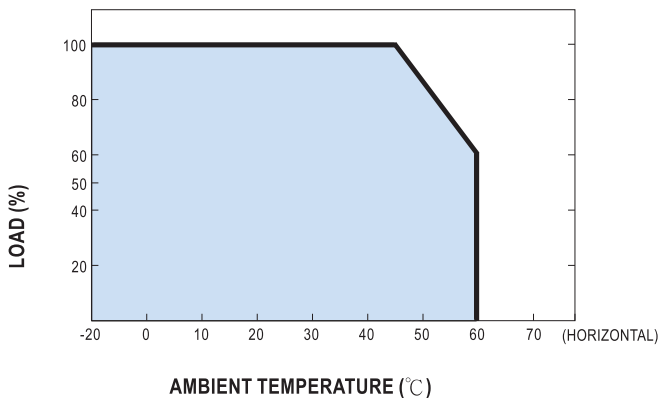
Pin No.	Assignment	Pin No.	Assignment
1	AC/L	4,5	DC OUTPUT -V
2	AC/N	6,7	DC OUTPUT +V
3	FG \perp		

Block Diagram

fosc : 60KHz



Derating Curve



Static Characteristics

